



Southern All Wood Cabinets, Division of Florida Southern Plywood Corporation
Sawcabinets.com | info@sawcabinets.com | (904) 786-4382 | 5909 W 5th St, Jacksonville, FL 32254



About us

At Southern All Wood Cabinets, our company beliefs are simple: We provide affordable, highly-customizable, quality wood cabinetry, with an unrivalled level of customer service and integrity.

Based in Jacksonville, Florida; Southern All Wood Cabinets presents a unique opportunity for a home buyer, investor, DIY'er, renovator or custom cabinet maker looking for an inexpensive, quality cabinet with immediate availability.

All our "Ready-to-Assemble" cabinets feature solid all wood construction, superior hardware, and durable paints and finishes. Our Ready to Assemble Cabinets come in four distinct styles, with numerous sizes and available accessories, allowing home owners the freedom and creativity to design their own dream kitchen or bathroom.



Cabinetry that is not only functional and long-lasting, but also stylish.

All our custom cabinets feature an all plywood box construction, solid wood face frames, dovetailed drawer boxes, as well as soft close under-mount slides & doors. These traits make our cabinetry reliable and durable enough for families of all sizes, and are made to stand the test of time!

Affordable, highly-customizable, quality wood cabinetry with rapid availability

We pride ourselves on offering affordable cabinetry which doesn't compromise on quality, with the added benefit of being customized to fit your needs!

Unlike large chain-retailers, our cabinets are always in stock, and in most cases, ready for delivery direct to your home or pick-up one day after they are ordered from our warehouse.



A dedicated team at Southern All Wood Cabinets is ready to serve you.

The cabinet experts at Southern All Wood Cabinets are always willing to help in every step of your cabinet order, and can answer any question you might have regarding our products and services - Call us today at (904) 786-4382, or visit our showroom at: 5909 W 5th St, Jacksonville, FL 32254



Southern All Wood Cabinets, Division of Florida Southern Plywood Corporation

Sawcabinets.com | info@sawcabinets.com | (904) 786-4382 | 5909 W 5th St, Jacksonville, FL 32254

Clarion - Shaker Collection



Our Clarion cabinets are guaranteed to add beauty and timeless elegance to your kitchen, which also allow it to match with other natural wood tones and stones. The detailed full-overlay design provides a clean elegant look to enhance any kitchen or bathroom. The Clarion is a true classic!



One of our most popular styles of cabinets - The Shaker - refers to the clean and elegant style of this door.



Our solid wood cabinets offer a timeless design, adding value when renovating a commercial or residential project.



All our styles of cabinet are assembled with dovetail construction and under mount "quiet close" drawers.



Southern All Wood Cabinets, Division of Florida Southern Plywood Corporation
Sawcabinets.com | info@sawcabinets.com | (904) 786-4382 | 5909 W 5th St, Jacksonville, FL 32254

Churchill - Shaker Collection



SAW Cabinets are specifically designed for multi-unit housing and budget minded homeowners. Our cabinets come flat box packaged for easy on-site delivery & storage. These cabinets are not only easy to assemble but can be customized to suit your specific project need.



The dark shaded Churchill all wood cabinets create a modern look while complementing the lighter colors your house has to offer.



The cabinets are crafted in a clean door style, accompanied by a solid panel top drawer(s).



Combined with your choice of countertop, the Churchill brings a sleek look to any kitchen or bathroom.



Southern All Wood Cabinets, Division of Florida Southern Plywood Corporation
Sawcabinets.com | info@sawcabinets.com | (904) 786-4382 | 5909 W 5th St, Jacksonville, FL 32254

Italian - Italian Collection



The Italian features rustic yet elegant all wood glazed birch, with miter raised panel doors and drawers. The elegant hand-rubbed stain finishing process ensures long life, consistency and durability of wood. Cabinet doors have fully concealed, self-closing metal hinges for easy operation.



Our cabinets are not only easy to assemble but can be customized to suit your specific project need.



Our solid wood cabinets offer a timeless design, adding value when renovating a commercial or residential project.



Just as no two trees are alike, no two pieces of wood are alike. The variation in color and grain pattern in wood adds to its natural beauty.



Southern All Wood Cabinets, Division of Florida Southern Plywood Corporation
Sawcabinets.com | info@sawcabinets.com | (904) 786-4382 | 5909 W 5th St, Jacksonville, FL 32254

Vail - Italian Collection



Our Vail all wood cabinets are known for their close grain texture and off-white color. This style portrays a tone between yellow and gray, and is accented with a hand applied chocolate glaze. The highly detailed craftsmanship is sure to leave a taste of sophistication and refinement every time you enter the room!



All our styles of cabinet are assembled with dovetail construction and under mount “quiet close” drawers.



Our solid wood cabinets offer a timeless design, adding value when renovating a commercial or residential project.



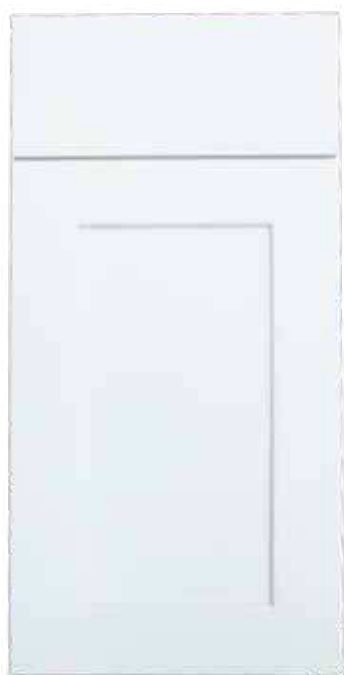
In addition to quiet close drawers, all of our cabinet styles come with soft close door hinges.



Southern All Wood Cabinets, Division of Florida Southern Plywood Corporation

Sawcabinets.com | info@sawcabinets.com | (904) 786-4382 | 5909 W 5th St, Jacksonville, FL 32254

Shaker Collection - Specifications



Clarion
(White)

Wood Species: Birch
Door Style: Full Overlay, Recess MDF Center Panel
Drawer Style: Top Drawer Solid Slab
Door Frame: ¾" Solid Birch
Face Frame: ¾" Solid Birch
Box Construction: ½" Solid Plywood
Cabinet Interior: Natural, Birch Veneer

Hinges: Soft Close, Adjustable
Drawer Glides: Full Extension, Under Mount Quiet Close
Shelves: ¾" Plywood with Wood Veneer
Assembly: Dovetail Construction
Delivery: 1-3 days
Location: Jacksonville, Florida



Churchill
(Moca)



Italian Collection - Specifications



Wood Species: Birch
Door Style: Full Overlay, Raised MDF Center panel (on Vail only)
Drawer Style: 5 Piece Raised Panel Square
Door Frame: ¾” Solid Birch
Face Frame: ¾” Solid Birch
Box Construction: ½” Solid Plywood
Cabinet Interior: Natural, Birch Veneer

Italian

Hinges: Soft Close, Adjustable
Drawer Glides: Full Extension, Under Mount Quiet Close
Shelves: ¾” Plywood with Wood Veneer
Assembly: Dovetail Construction
Delivery: 1-3 days
Location: Jacksonville, Florida



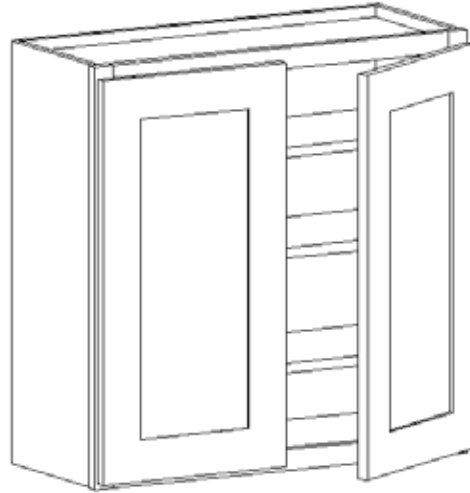
Vail
(Antique White)



Southern All Wood Cabinets, Division of Florida Southern Plywood Corporation
Sawcabinets.com | info@sawcabinets.com | (904) 786-4382 | 5909 W 5th St, Jacksonville, FL 32254

Wall Cabinets - Specifications

SKU	W	H	D
W3012	30	12	12
W3312	33	12	12
W3612	36	12	12
W3912*	39	12	12



SKU	W	H	D
W2436	24	36	12
W2736	27	36	12
W3036	30	36	12
W3336	33	36	12
W3636	36	36	12
W3936*	39	36	12
W4836*	48	36	12

SKU	W	H	D
W3015	30	15	12
W3315	33	15	12
W3615	36	15	12
W361524*	36	15	24

SKU	W	H	D
W3024	30	24	12
W3624	36	24	12
W3924*	39	24	12
W362424	36	24	24
W392424*	39	24	24
W3027*	30	27	12

SKU	W	H	D
W2442	24	42	12
W2742	27	42	12
W3042	30	42	12
W3342	33	42	12
W3642	36	42	12
W4842*	48	42	12

SKU	W	H	D
W3018	30	18	12
W3618	36	18	12
W3918*	39	18	12

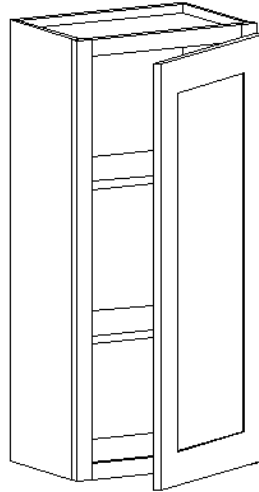
SKU	W	H	D
W2430	24	30	12
W2730	27	30	12
W3030	30	30	12
W3330	33	30	12
W3630	36	30	12
W4230*	42	30	12



Southern All Wood Cabinets, Division of Florida Southern Plywood Corporation

Sawcabinets.com | info@sawcabinets.com | (904) 786-4382 | 5909 W 5th St, Jacksonville, FL 32254

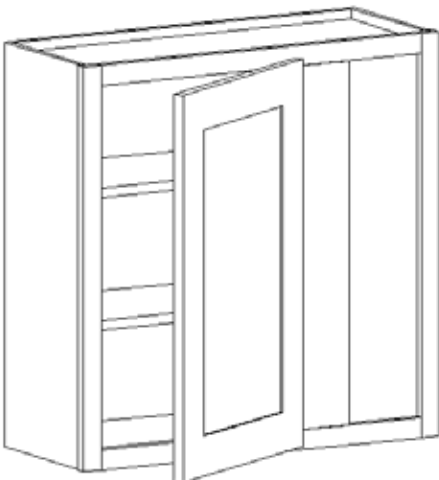
Wall Cabinets - Specifications



SKU	W	H	D
W936	9	36	12
W1236	12	36	12
W1536	15	36	12
W1836	18	36	12
W2136	21	36	12

SKU	W	H	D
W930	9	30	12
W1230	12	30	12
W1530	15	30	12
W1830	18	30	12
W2130	21	30	12

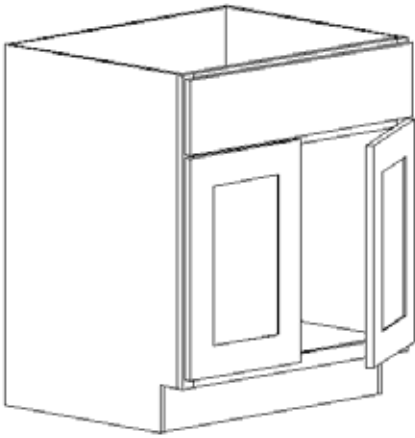
SKU	W	H	D
W942	9	42	12
W1242	12	42	12
W1542	15	42	12
W1842	18	42	12
W2142	21	42	12



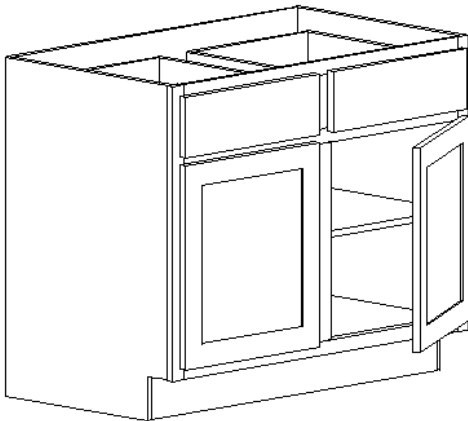
SKU	W	H	D
WBC2430	24	30	12
WBC2736*	27	36	12
WBC2742*	27	42	12
WBC3630	36	30	12
WBC3636	36	36	12
WBC3642	36	42	12



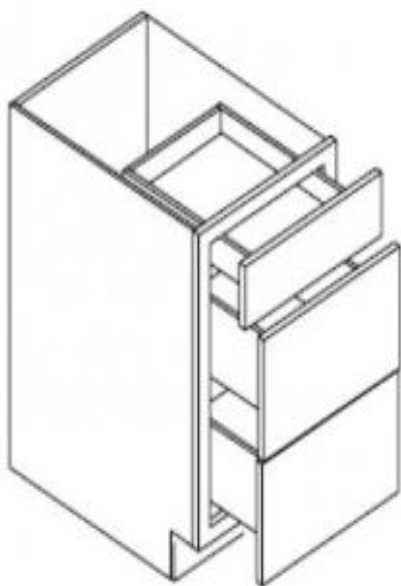
Base Cabinets - Specifications



SKU	W	H	D
SB30	30	34.5	24
SB33	33	34.5	24
SB36	36	34.5	24
SB39*	39	34.5	24
SB42	42	34.5	24
SB60*	60	34.5	24



SKU	W	H	D
B36	36	34.5	24



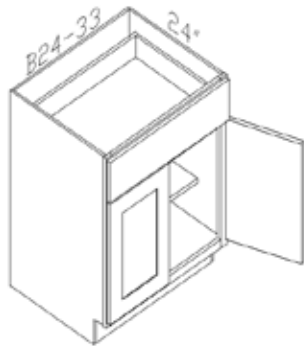
SKU	W	H	D
DB12	12	34.5	24
DB15	15	34.5	24
DB18	18	34.5	24
DB21	21	34.5	24
DB24	24	34.5	24
DB30	30	34.5	24
DB36	36	34.5	24



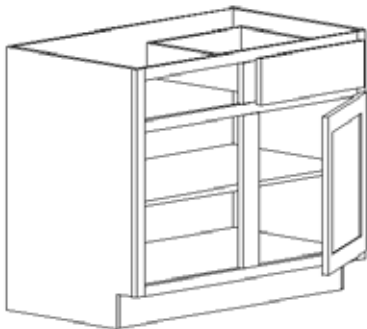
Base Cabinets - Specifications



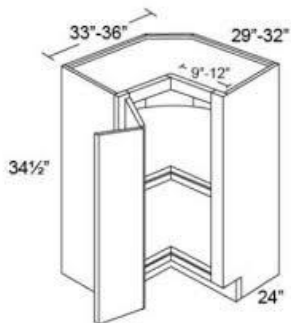
SKU	W	H	D
B09	9	34.5	24
B12	12	34.5	24
B15	15	34.5	24
B18	18	34.5	24
B21	21	34.5	24



SKU	W	H	D
B24	24	34.5	24
B27	27	34.5	24
B30	30	34.5	24
B33	33	34.5	24



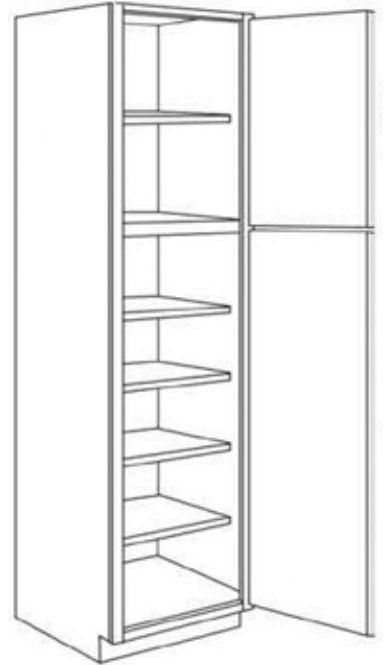
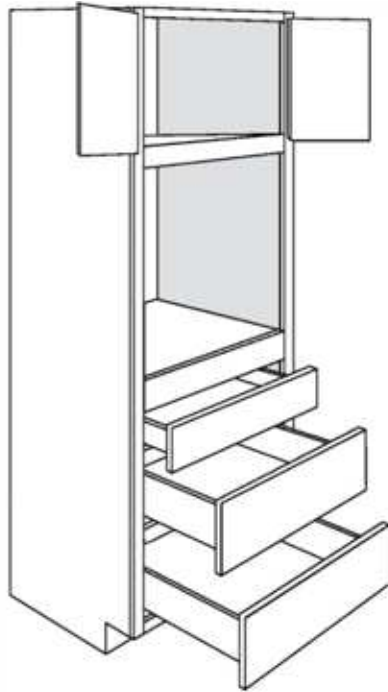
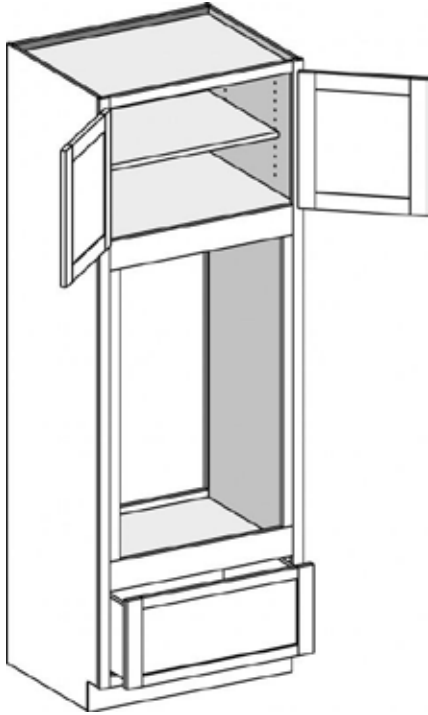
SKU	W	H	D
BBC3642	27	34.5	24



SKU	W	H	D
LS3312	33	34.5	24
LS3612	36	34.5	24
ERB3612	36	34.5	24



Oven Cabinets & Roll Out Trays

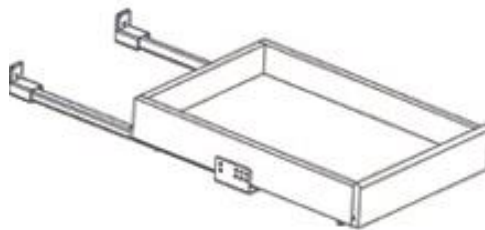


SKU	W	H	D
DOC3384	33	84	34.5
DOC3390	33	90	34.5
DOC3396	33	96	34.5

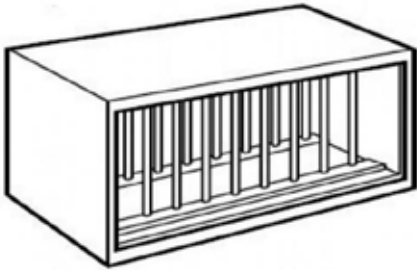
SKU	W	H	D
SOC3084*	30	84	34.5
SOC3384	33	84	34.5
SOC3390	33	90	34.5
SOC3396	33	96	34.5

SKU	W	H	D
WP1884	18	84	24
WP1890	18	90	24
WP1896	18	96	24
WP2484	24	84	24
WP2490	24	90	24
WP2496	24	96	24

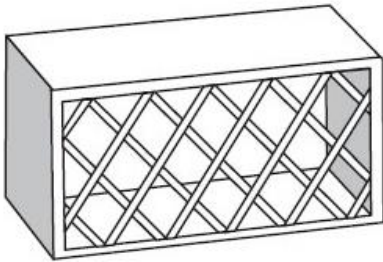
SKU	W	H	D
18RT	18	2	20 3/4
21RT	21	2	20 3/4
24RT	24	2	20 3/4
27RT	27	2	20 3/4
30RT	30	2	20 3/4
33RT	33	2	20 3/4
36RT	36	2	20 3/4



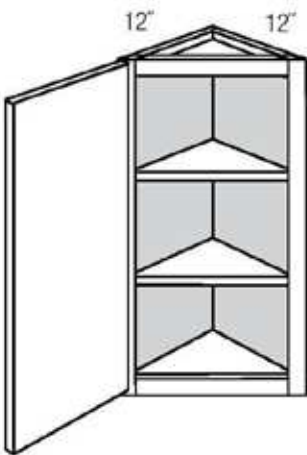
Specialty Cabinets



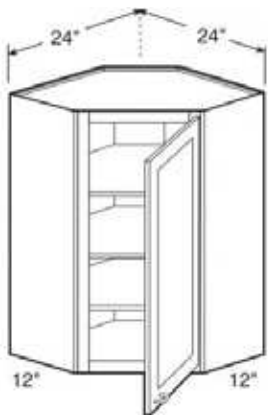
SKU	W	H	D
PR3015	30	15	21
PR3618	36	18	12
PR3615*	36	15	21



SKU	W	H	D
WR3015	30	15	21
WR3018	30	18	12
WR3618*	36	18	12



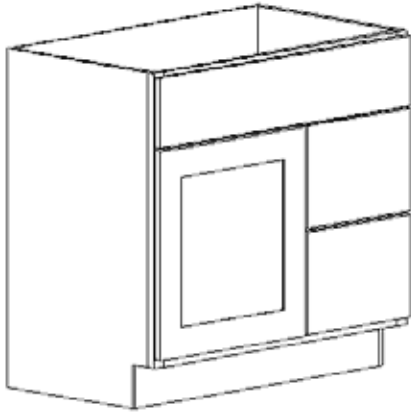
SKU	W	H	D
AW30	12	30	12
AW36	12	36	12
AW42	12	42	12



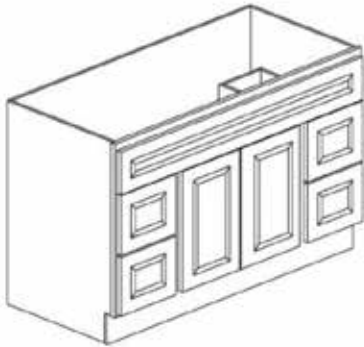
SKU	W	H	D
WDC2430	24	30	12
WDC2436	24	36	12
WDC2442	24	42	12



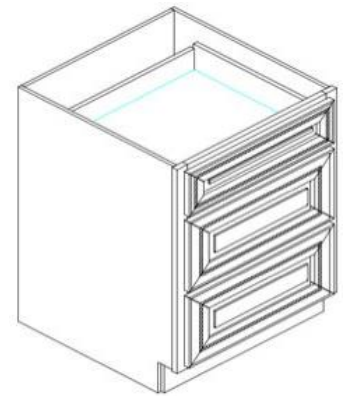
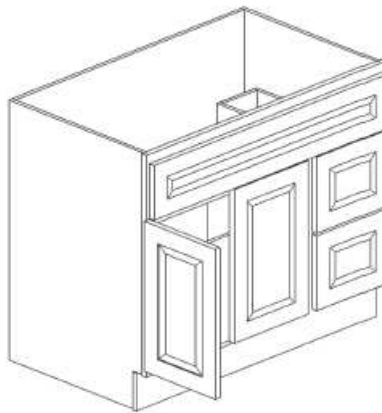
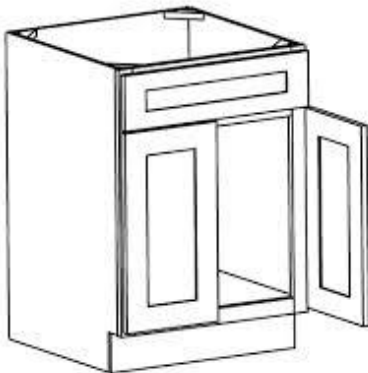
Vanity Cabinets



SKU	W	H	D
VB3021D	30	34.5	21



SKU	W	H	D
VB4821D	48	34.5	21
VB6021D	60	34.5	21



SKU	W	H	D
VB2421	24	34.5	21
VB3021	30	34.5	21
VB3621	36	34.5	21

SKU	W	H	D
VB3621	36	34.5	21
VB4221	42	34.5	21



SKU	W	H	D
VDB1221	12	34.5	21
VDB1521	15	34.5	21
VDB1821	18	34.5	21




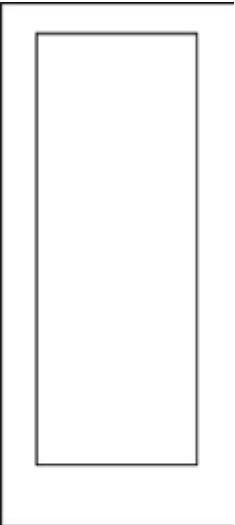
Southern All Wood Cabinets, Division of Florida Southern Plywood Corporation


Sawcabinets.com | info@sawcabinets.com | (904) 786-4382 | 5909 W 5th St, Jacksonville, FL 32254


Valiances, Fillers & Panels

VAS48	
VA48	

SKU	W	H	
WF3	3	30	
WF336	3	36	
WF342	3	42	
WF396	3	96	
WF6	6	30	
WF636	6	36	
WF642	6	42	
WF696	6	96	

SKU	W	H	
DEPW30	11 ¾	29	
DEPW36	11 ¾	35	
DEPW42	11 ¾	41	
DEPB30	23 ¾	29	

SKU	W	H	
BF3	3	34.5	
BF6	6	34.5	

SKU	D	H	
DWR3	24	34.5	
REP3096	30	96	
REP2484	24	84	
REP2496	24	96	



Moldings and Trim

SKU	
LRM8	
ICM96	
SM5	
SC9	

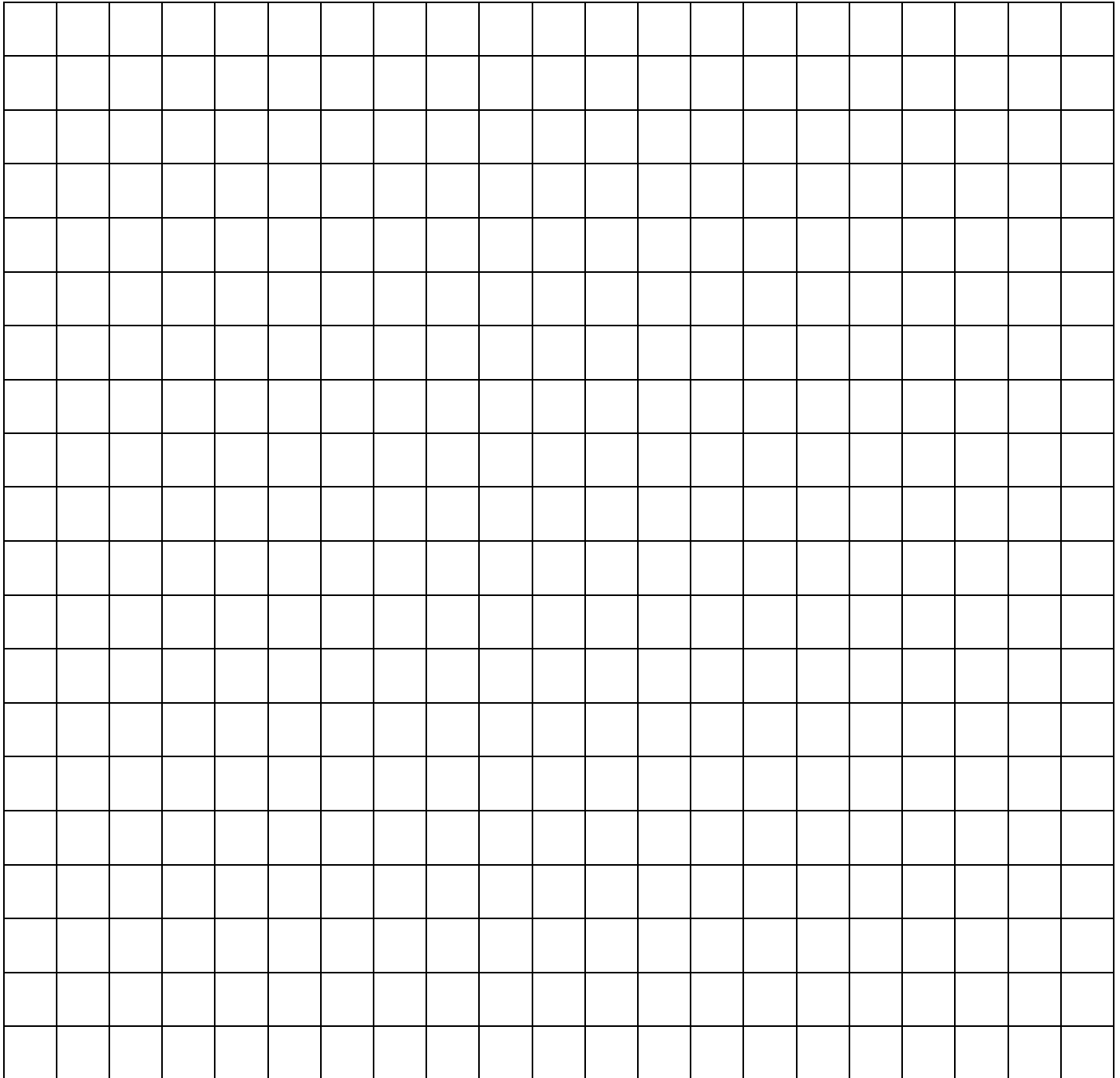
SKU	
LCM8	
CM96-2	
CCM	

SKU	
SC1-3	
SC2	

SKU	
TK-8	
RM8*	



Use the graph paper below to sketch out your current kitchen configuration. Start by drawing the walls; make sure to include any windows, doors or entryways. Mark where your current appliances are and try to include their dimensions.

A large grid of graph paper consisting of 20 columns and 20 rows of squares, intended for sketching a kitchen layout.

Warranty

- Southern All Wood Cabinets, may elect to repair or replace with a functionally equivalent product. Some replacement parts are subject to availability and may differ from original parts received. Return of defective product may be required for a replacement to be issued. Repair parts or replacement parts are at the expense of SAW Cabinets, but customer shall bear all other expenses. These expenses may include, but are not limited to, cost of removal and re-installation of product, labor expenses, shipping, etc.
- Just as no two trees are alike, no two pieces of wood are alike. The variation in color and grain pattern in wood adds to its natural beauty and is not considered an imperfection. This warranty does not cover the environmental factors, including but not limited to artificial/natural light, moisture, cleaners, smoke which may cause the darkening and/or variation of color over time. Variation in sizing may occur due to the nature of the cabinets being Ready To Assembly. This is a natural process and can be expected.
- Some of the cabinet lines feature a glazed finish which accentuates the door and drawer front profiles. This glaze is hand applied over a stain or paint and may, due to the nature of application, consist of random drips, runs, or may have variations in color and appearance from door to door and cabinet to cabinet. This is not considered a defect and is considered normal with hand applied finishes. It is the nature of wood to expand and contract to varying degrees depending on climate conditions. As a result, cabinet lines with painted surfaces may show fractures in the paint at joints. This is normal and is not considered a defect.
- This warranty does not cover normal wear and tear, damage or defects caused by accidents, misuse, abuse, or lack of necessary maintenance; nor does it cover alteration, modification, improper installation, improper handling/storage, environmental conditions, nor any labor expenses.
- The purchaser agrees to let doors that are warped or have panel shrinkage a ¼” or less hang for one season before replacement is requested. Typically, a door will return to its normal position once it is acclimated to temperature and humidity conditions. Prior to requesting a replacement for a door, please be sure the door has been installed properly.
- Specifications are subject to change without notice. It is our desire to provide our customers with all items listed in our brochures but availability is based on our stock and are not guaranteed.





Southern All Wood Cabinets, Division of Florida Southern Plywood Corporation
Sawcabinets.com | info@sawcabinets.com | (904) 786-4382 | 5909 W 5th St, Jacksonville, FL 32254